



The Mini-Z Bridge is a general purpose impedance bridge designed to be allocated in the enclosure near the main board with shorten connections. As general purpose bridge it can be use together with other measurement instruments up to 100MHz. It is capable of being used up to 150MHz.

Features:

Impedance: 50 $\Omega$

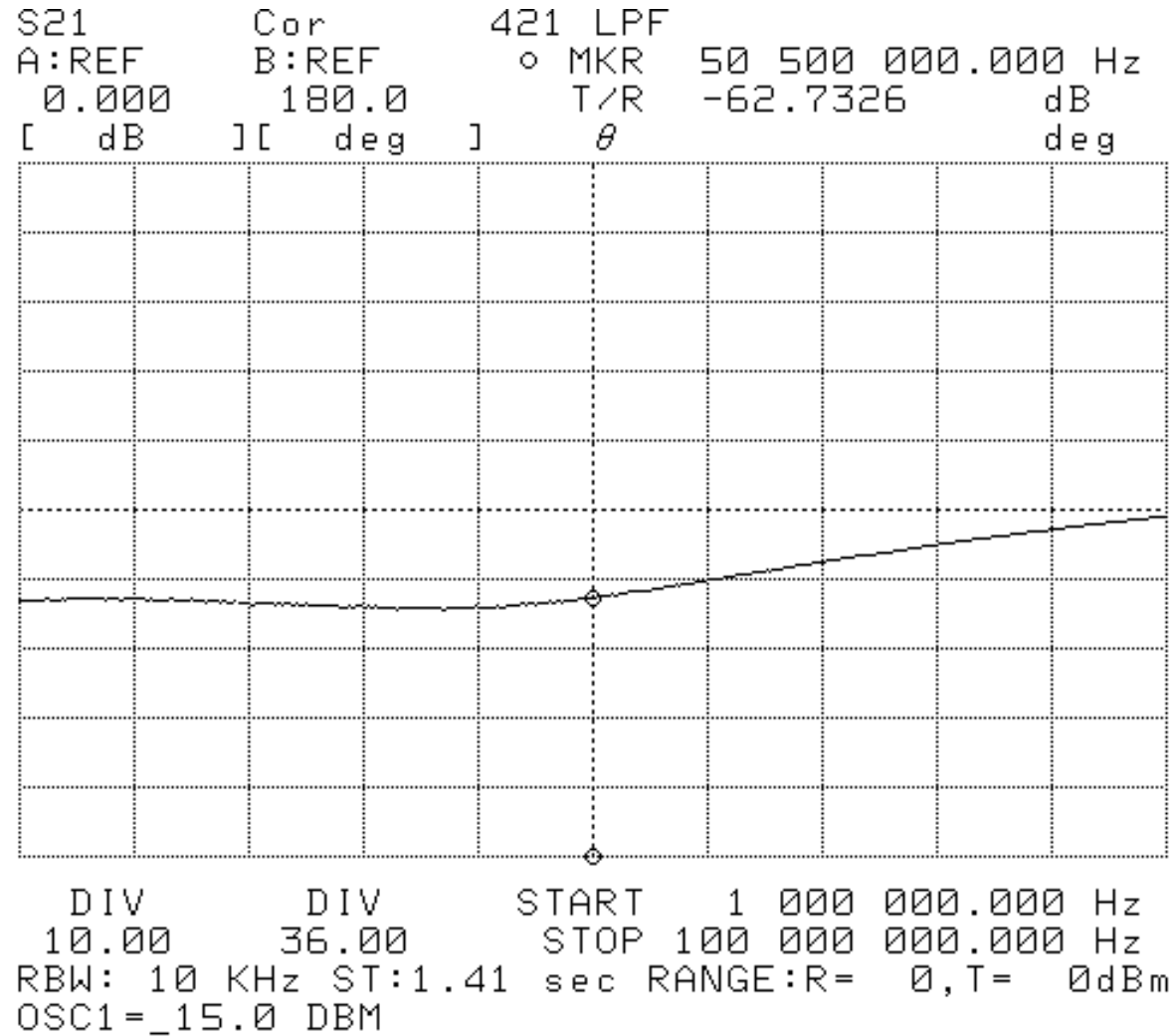
Range: 50KHz to 100MHz (usable up to 150MHz)

Directivity: Better than 50dB@50MHz; 40dB@100MHz

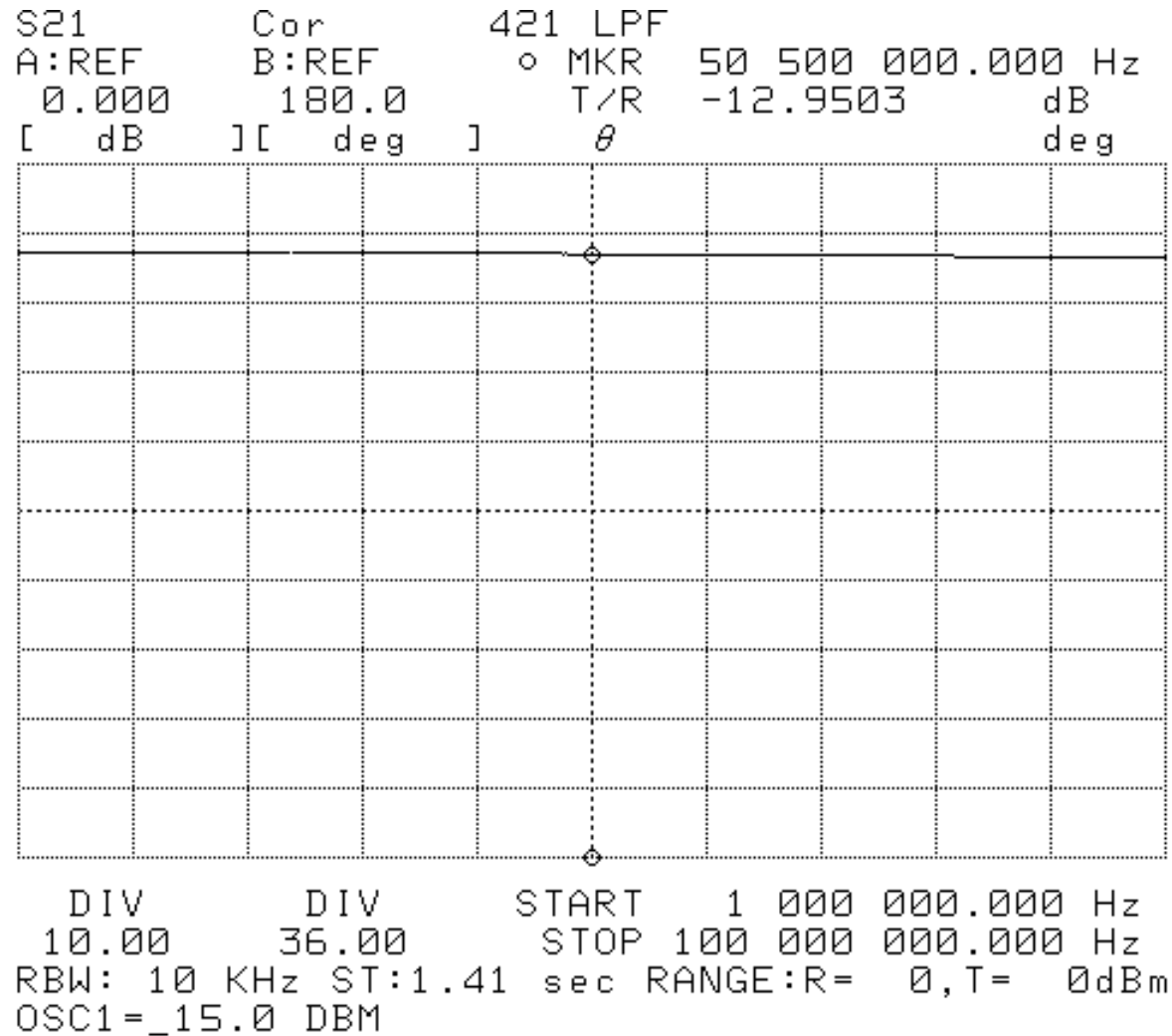
Insertion loss: 13dB

Size: 55mmx37mmx20mm (2.165 x 1.457x 0.787 in)

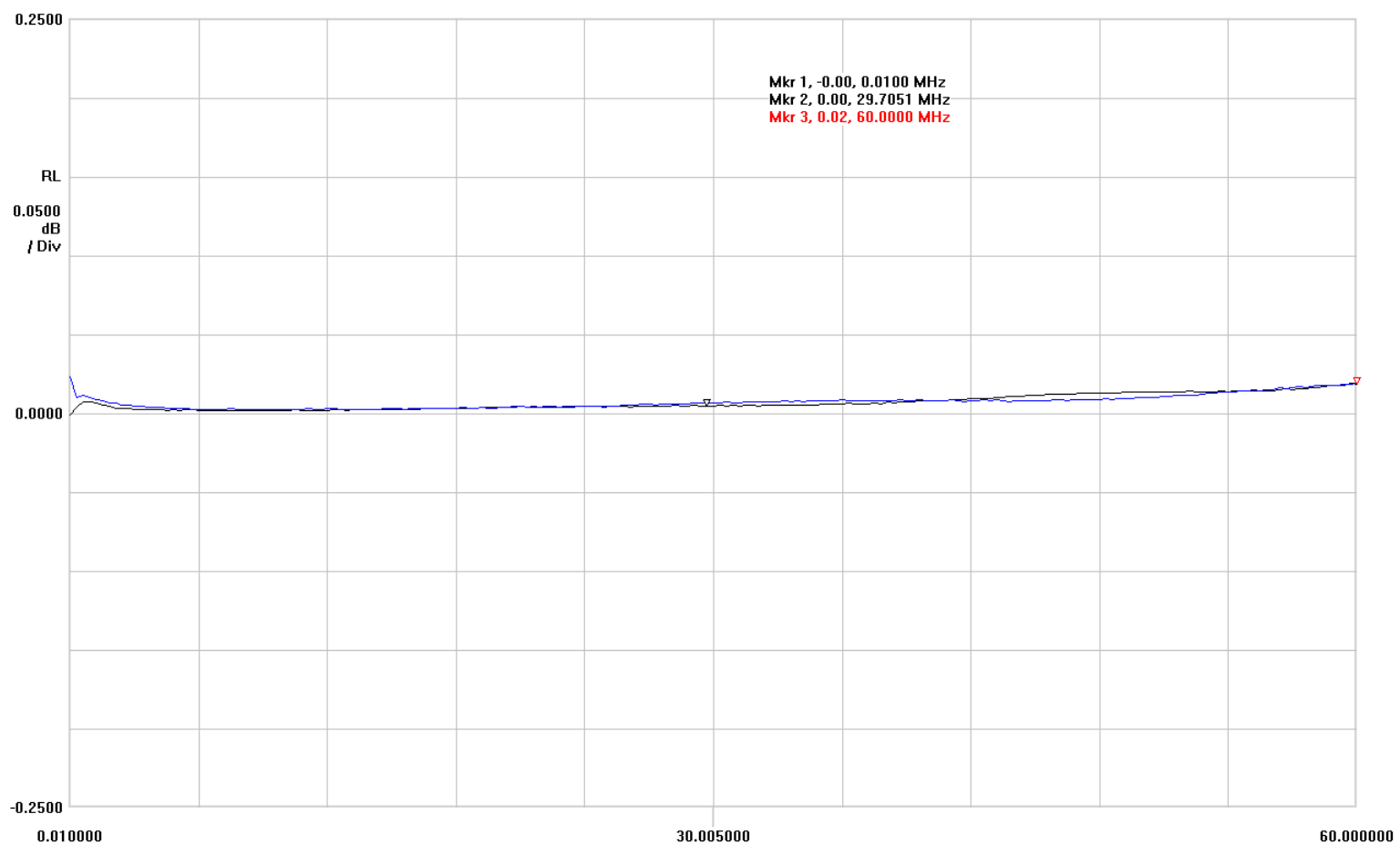
Connectors: SMA



Directivity



Insertion loss



Open-Short

A

B

C

D

1

1

2

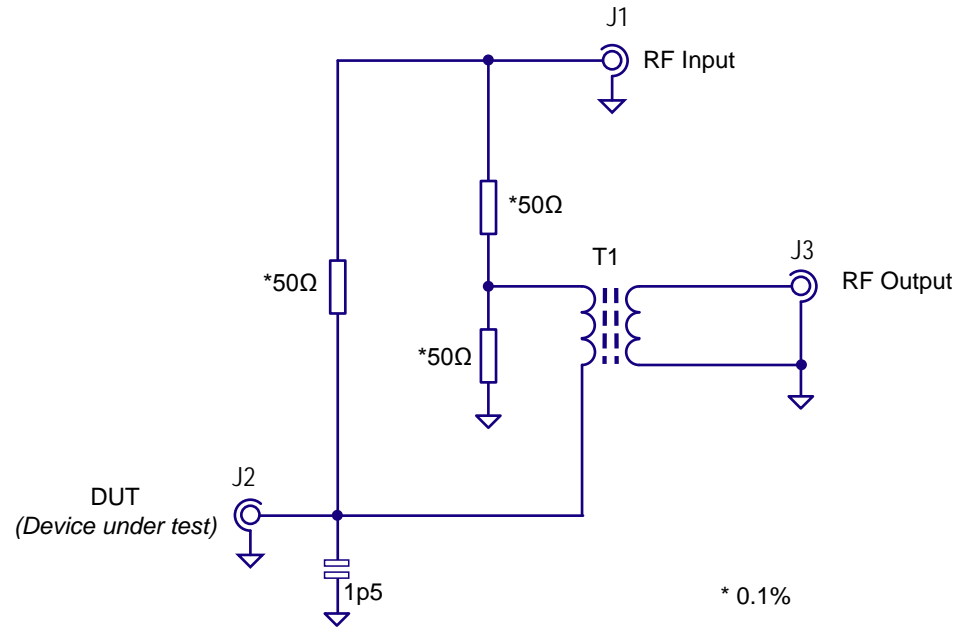
2

3

3

4

4



Drawing 50KHz-100MHz Mini Impedance Bridge			
Approvals	Size	DWG No	
Issued	A4	REV 01	Sheet 1/1
Checked	Scale	FCSM No	
Drawn JJ de Oñate		Date	IX X MMVIII

A

B

C

D

## Notes