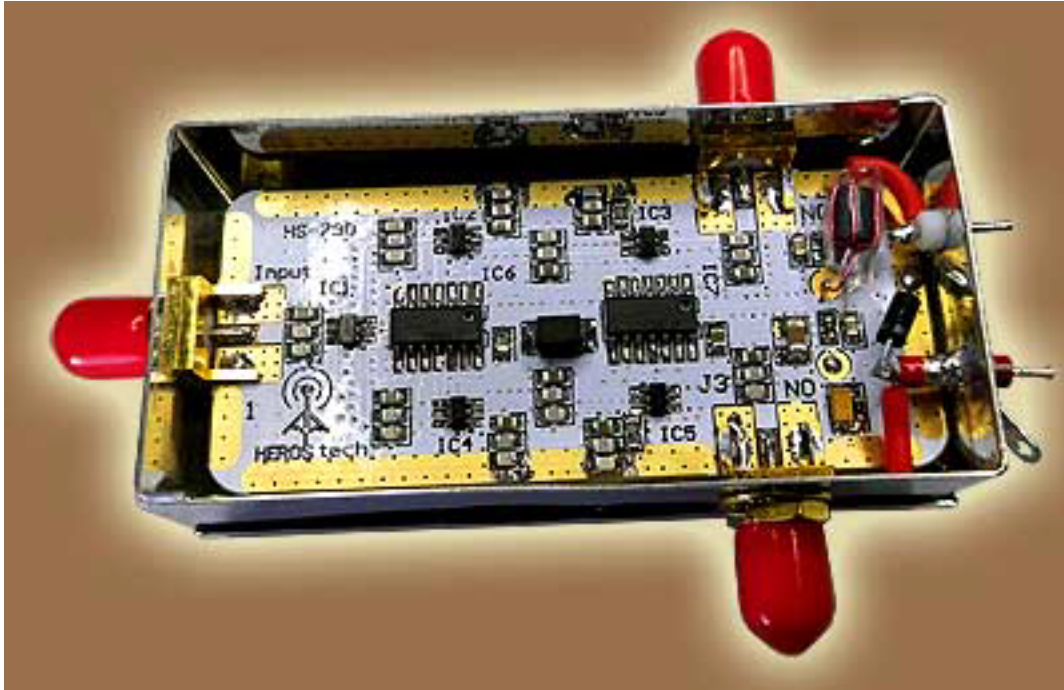


**Solid State RF Relay.
No Relays, No moving parts.
Form C. SPDT Absorptive configuration.**

User manual. Rev 02
(May 2017)



General purpose SPDT solid state RF switch, no relays, no moving parts, for telecommunication and signal applications.

Our solid state RF switch do not incorporate relays or any moving parts instead it uses GaAs pHEMT technology switching cells.

Applications:

- General-purpose medium-power switching in telecommunication applications.
- Switching on 802.11b, g WLAN and Bluetooth systems.

Operating Frequency: DC - 3GHz

Switch Configuration: Form C, SPDT Absorptive.

Insertion loss type: 0.3dB @1GHz. ; 0.4dB @3GHz.

RF1-RF2 port Isolation: >100dB

VSWR: 1.2 max.

IP3: 52dBm type

RF power rating absolute max.@ 5VDC:

3 watt(+35dBm) all operating range; 6W(38dBm) @900MHz

Control switching: 1 bit; "0" RFC-RF1; "1" RFC-RF2

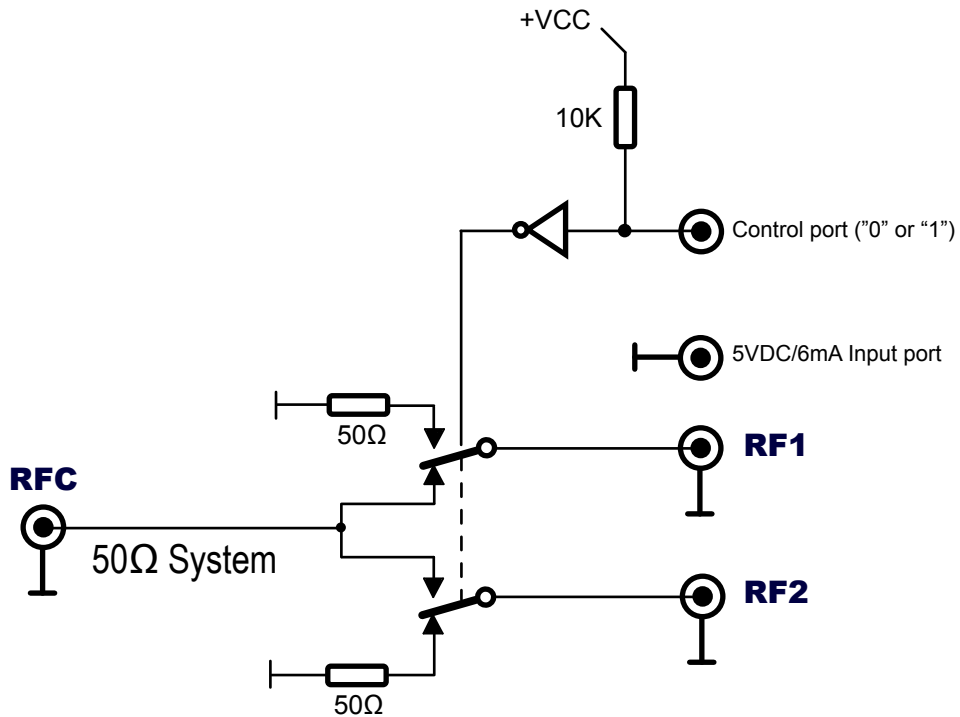
Switching time (ON-OFF): 35nS.

Power supply: 3V-5VDC/6mA

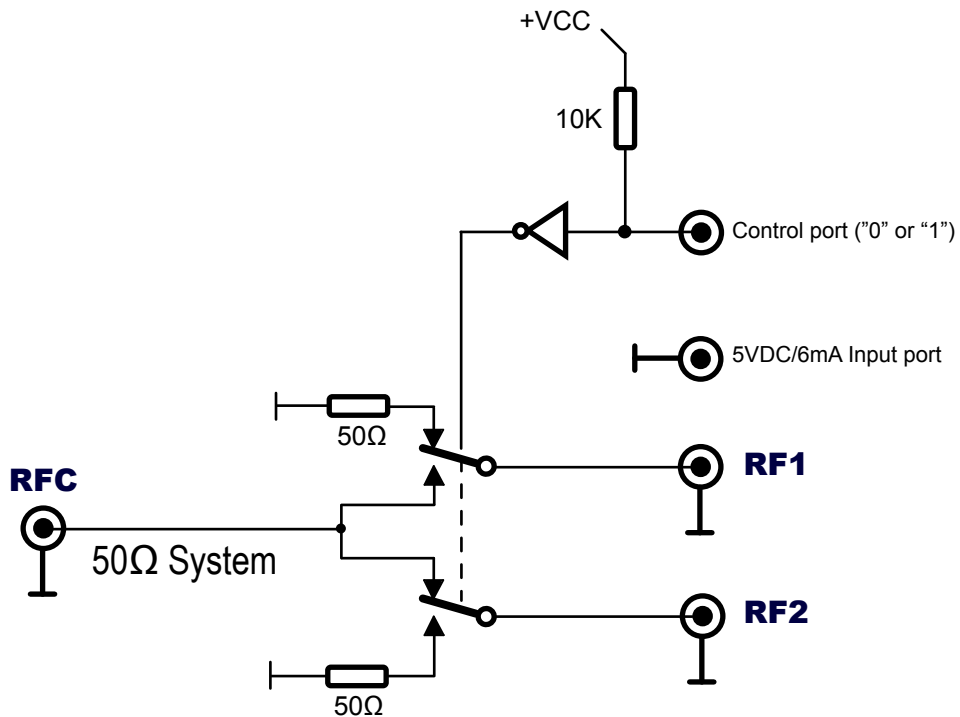
Connectors: SMA

Dimensions: 74x37x20mm(2.91x1.45x0.78in)

Solid State RF Switch. Control bit diagram



Control port "0"= RFC connected to RF1; RF2 connected to 50Ω load.



Control port "1"= RFC connected to RF2; RF1 connected to 50Ω load.

NOTES:

Heros technology Limited disclaims all liability arising from this information and its use.

It is your responsibility to ensure that your application meets with your specifications.

Information contained in this publication regarding device applications and the like is provided only for your convenience and may be superseded by updates.

Heros technology Limited makes no representations or warranties of any kind whether express or implied, written or oral, statutory or otherwise, related to the information, including but not limited to its condition, quality, performance, merchantability or fitness for purpose.